



Switchgear type (sectional bond of traction) AŁT-06/U

for rated voltage 600VDC



Switchgear (sectional bond of traction) type AŁT-06/U is an electrical device designed for use in the underground mining pits in non-explosive conditions and on the ground.

Switchgear type AŁT-06/U is dedicated to connecting and switching of mine traction for rated grid voltage of 600DC. Traction is connected to the switchgear via a terminal by cable gland.

TECHNICAL DATA:

ingress protection
rated supply voltage
no of outlets 500V
rated current of outlet
dimensions
weight

IP54
600V DC
1
250A
1200 x 700 x 370mm (height x width x depth)
60 kg

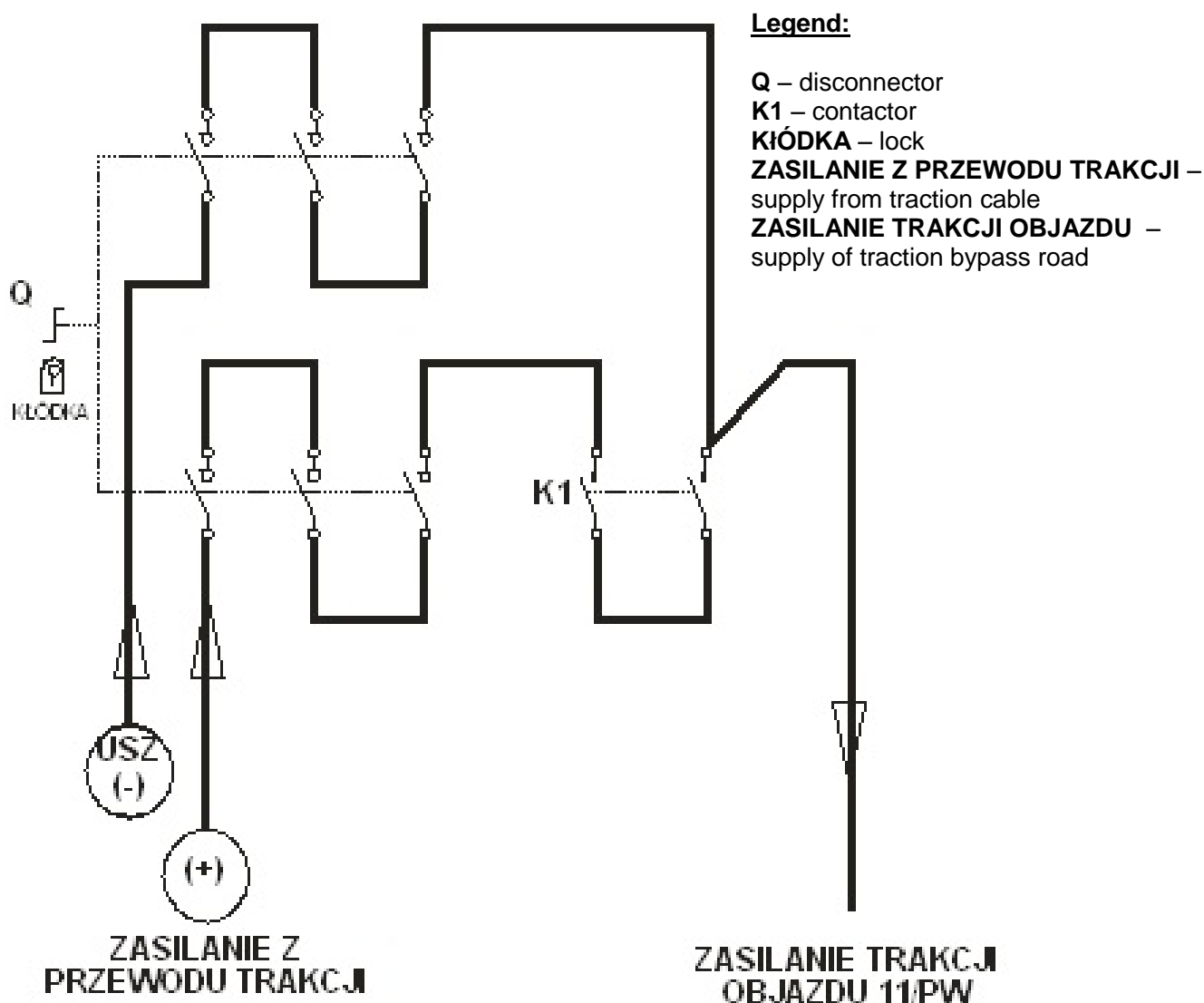
CONSTRUCTION

The switchgear housing is made of sheet steel. Housing is designed and made enabling the switchgear to be mounted it using M10 screws or through welding to other construction.

DESCRIPTION OF OPERATION

Switchgear type AŁT-06/U is equipped in the main circuit 600V DC in three position disconnecter Q1: turning on, turning off, connected to rail. In connected to rail position traction is connected with traffic rails. Every position of the disconnecter Q can be locked by putting a lock on the handle of drive lever. Control of 600V DC outlet is carried out remotely from external control system (f.e. control desk P1 using turning on/turning off buttons) or local from the face of the switchgear through moving lever of disconnecter Q in turning on position.

SCHEMATIC DIAGRAM



Orders should be submitted in writing or by fax to the address:

 **Instal-Service PL**

Spółka z ograniczoną odpowiedzialnością
Spółka komandytowa

58-506 Jelenia Góra, ul. Wrocławska 15a
tel. (+48 075) 64-57-950
fax. (+48 075) 64-57-951
e-mail: instal@instal-service.pl